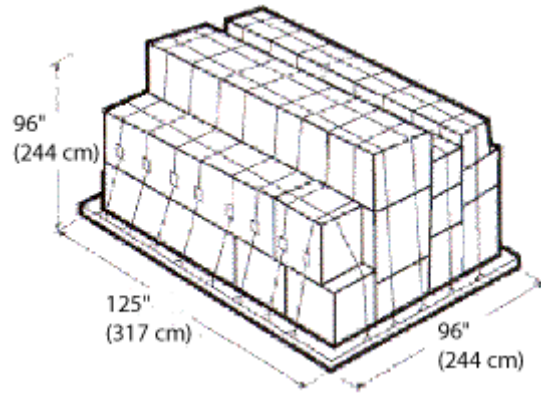


Air freight container dimensions

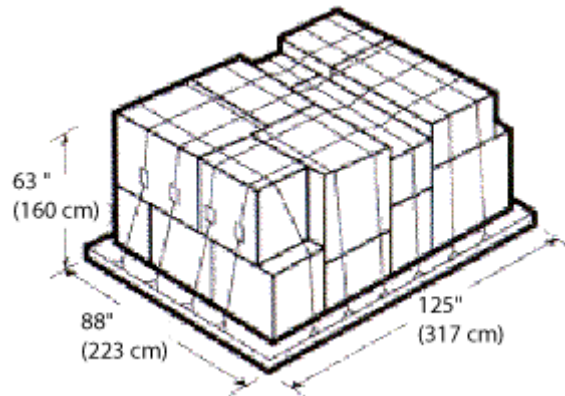
Main Deck Pallet

(Equivalent to IATA Type 2)
External Displacement:
606 cu ft/17.16 cu m
Maximum Gross Weight:
15,000 lb/6,804 kg
Maximum External Dimensions:
(L x W x H) Contoured
125" x 96" x 96"
317cm x 244cm x 244cm



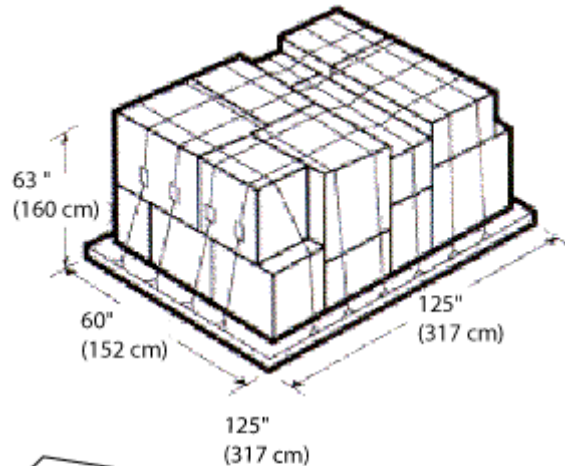
LD-7

(Equivalent to IATA Type 5)
External Displacement:
379.9 cu ft/10 cu m
Maximum Gross Weight:
10,200 lb/4,627 kg
Maximum External Dimensions:
(L x W x H) Contoured
125" x 88" x 63"
317 cm x 223 cm x 160 cm



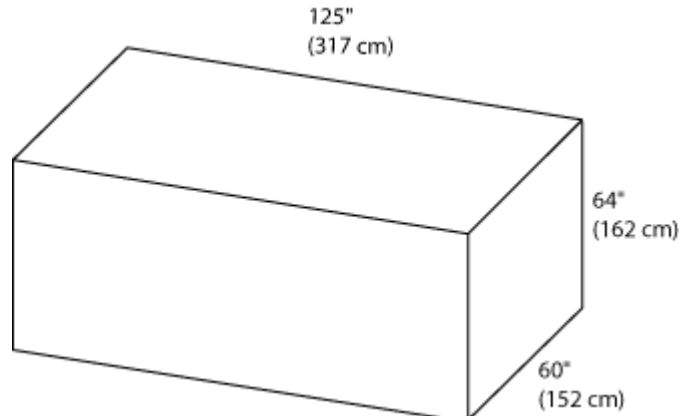
P9A Lower Deck Pallet

(Equivalent to IATA Type 6)
External Displacement:
242 cu ft/6.9 cu m
Maximum Gross Weight:
7,000 lb/3,175 kg
Maximum External Dimensions:
(L x W x H) Contoured
125" x 60" x 63"
317 cm x 152 cm x 160 cm



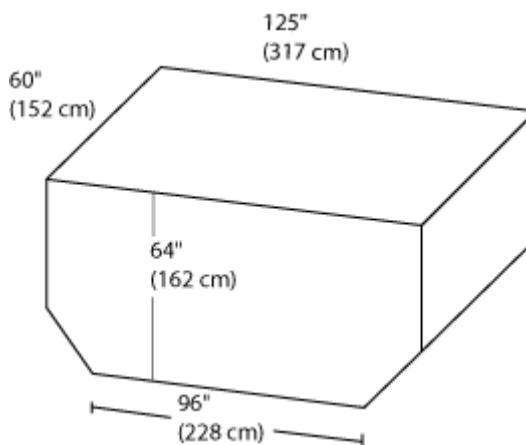
LD-11

(Equivalent to IATA Type 6)
Internal Capacity:
242 cu ft/6.9 cu m
Maximum Gross Weight:
7,000 lbs/3,176 kg
Maximum External Dimensions:
(L x W x H) Contoured
125" x 60" x 64"
317 cm x 152 cm x 162 cm



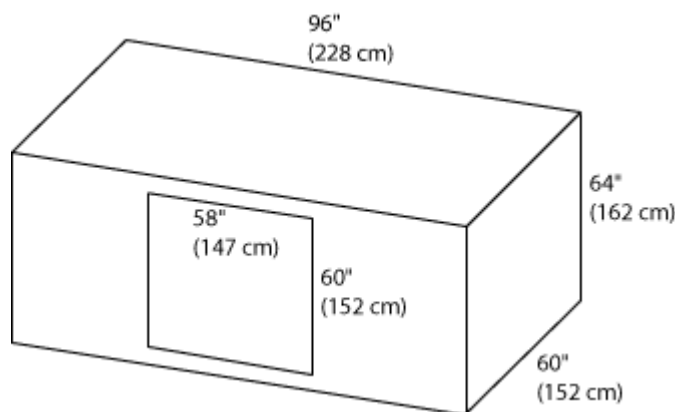
LD-8

(Equivalent to IATA Type 6A)
Internal Capacity:
243 cu ft/6.9 cu m
Maximum Gross Weight:
5,400 lb/2,450 kg
Maximum External Dimensions:
(L x W x H) Contoured
96" x 60" x 64"
228 cm x 152 cm x 162 cm



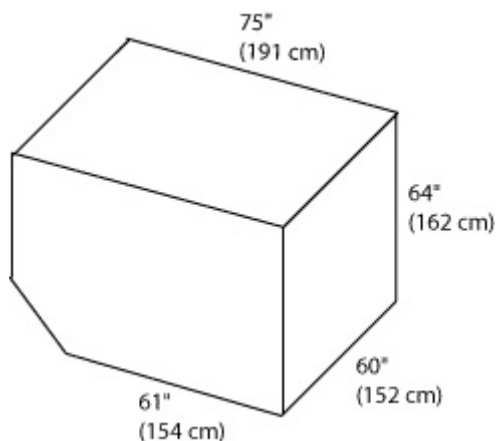
LD-4

(Equivalent to IATA Type 7A)
Internal Capacity:
174 cu ft/5 cu m
Maximum Gross Weight:
5,400 lb/2,450 kg
Maximum External Dimensions:
(L x W x H) Contoured
96" x 60" x 64"
228 cm x 152 cm x 162 cm



LD-3

(Equivalent to IATA Type 8)
Internal Capacity:
150 cu ft/4 cu m
Maximum Gross Weight:
3,500 lb/1,588 kg
Maximum External Dimensions:
(L x W x H) Contoured
61" x 60" x 64"
154 cm x 152 cm x 162 cm



LD-2

(Equivalent to IATA Type 8D)
Internal Capacity:
120 cu ft/3 cu m
Maximum Gross Weight:
2,700 lb/1,225 kg
Maximum External Dimensions:
(L x W x H) Contoured
47" x 60" x 64"
119 cm x 152 cm x 162 cm

